

QUALITY LIGHTNING
PROTECTION
Take Charge.

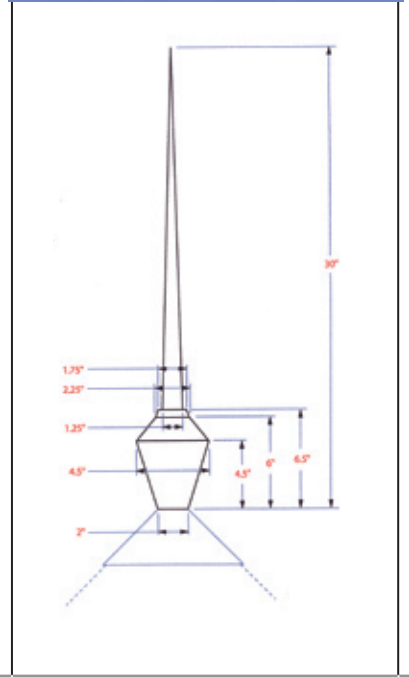
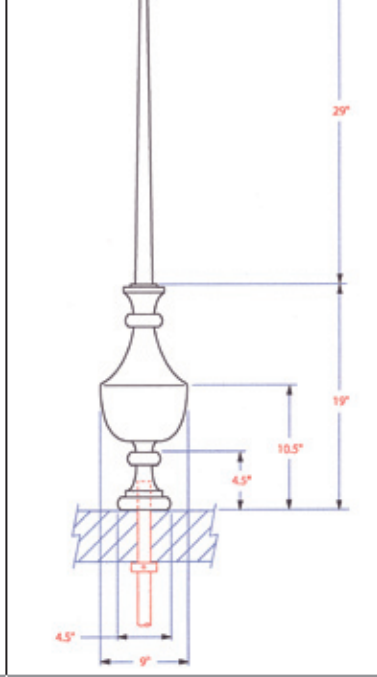
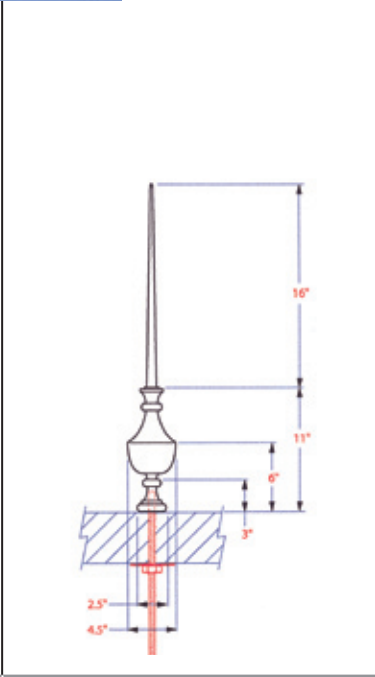
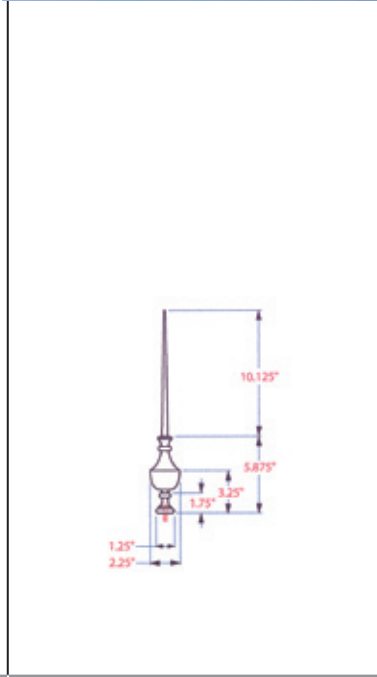


743 Pershing Road • Raleigh, NC 27608
t.919.832.9399 • f 919.829.8022 • www.qualitylightning.com
Materials by Capital Lightning

QUALITY LIGHTNING
PROTECTION
Take Charge.

Timeless Beauty.

Quality Lightning Protection's architectural finials are an elegant complement to cupolas, dormers, ridge edges, turrets, pavilions and gazebos. Designed for both residential and commercial applications, our custom-crafted, solid bronze and aluminum finials enhance any building. Whether it is new construction or historic preservation, an Quality Lightning Protection finial will add just the right touch of elegance.



Small Finial
Height - 16 inches
Diameter at widest point - 2 1/4 inches

Catalog numbers:
DT16A - Aluminum
DT16B - Bronze
DT16T - Tinned Bronze

An inexpensive and versatile architectural accent.

Medium Finial
Height - 27 inches
Diameter at widest point - 4 1/2 inches

Catalog numbers:
DF1A - Aluminum
DF1B - Bronze
DF1T - Tinned Bronze

A simple yet elegant complement for cupolas, dormers and turrets.

Large Finial (Not Shown)
Height - 48 inches
Diameter at widest point - 9 inches

Catalog numbers:
DF48A - Aluminum
DF48B - Bronze
DF48T - Tinned Bronze

Every DF48 is made to order, individually numbered and certified as a factory original.

Square Finial
Height - 30 inches
Diameter at widest point - 4 1/2 inches

Catalog numbers:
DF2A - Aluminum
DF2B - Bronze
DF2T - Tinned Bronze

This geometric streamlined design enhances any contemporary structure.